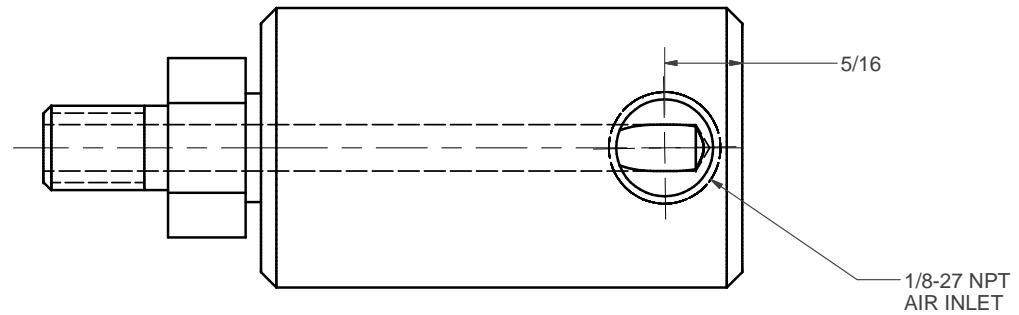
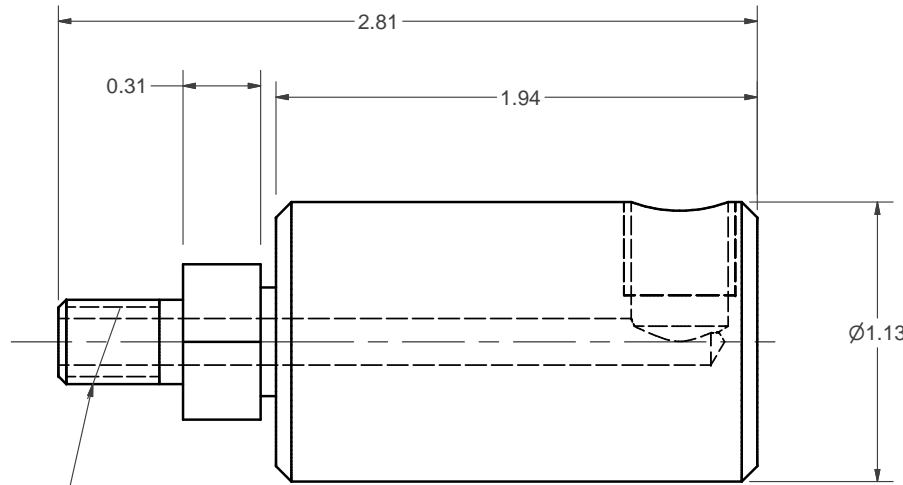


0.625



5/16

1/8-27 NPT
AIR INLET



0.31

2.81

1.94

Ø1.13

1/8-27 NPT

UNLESS OTHERWISE SPECIFIED

ALL DIAMETERS TO BE
CONCENTRIC WITHIN 0.003

REMOVE ALL BURRS
& SHARP EDGES

125 ✓

JRC WEB ACCESSORIES

www.jrcweb.com

46 PASSAIC AVENUE FAIRFIELD, NJ 07004

973-625-3888

TITLE

1/8 NPT ROTARY UNION

CUSTOMER	DIMENSION	TOLERANCE ±
FINISH	FRACTIONAL	1/64
MATERIAL	ANGULAR	0.5°
	X.XX	0.010
	X.XXX	0.005
REFERENCE DRAWING	X.XXXX	0.0005

SIZE	DATE	DWG NO	REV
B		A-2113	
SCALE	DRAWN	SHEET 1 OF 1	